



HIGH PRODUCTIVITY COMPACT MACHINING CENTER  
EQUIPPED WITH DUAL PALLET

# VC

**3600/30**



**DN SOLUTIONS**

# VC 3600/30

The VC 3600/30 is a compact high-productivity compact machining center designed for the automotive and IT industries. It is equipped with a simultaneous operation function where rotary table turns and the all axes are positioned simultaneously when tools are changed. Durability and reliability have been further improved by adopting a more rigid frame and a servo unit.



Dual pallet was applied to improve productivity, and a thermal displacement compensation program was applied as standard for precise and fast processing of various parts. In addition, it provides various convenient functions such as EZ work.



#### SERVO-TYPE APC AND ATCAS STANDARD FEATURES TO ACHIEVE EVEN HIGHER PRODUCTIVITY AND RELIABILITY

- Servo-driven APC reduces pallet change time by about 30%.
- Servo-driven ATC incorporating 14 tools as standard feature reduces tool change time by up to 11%.

#### NEWLY-DESIGNED DIRECT COUPLED SPINDLE WITH IMPROVED RIGIDITY AND PRODUCTIVITY

- The spindle design has been optimized by reducing acceleration and deceleration times by up to 30% to achieve even higher productivity.
- Adoption of dual contact spindle as standard feature improves heavy duty machining performance.

#### SMALL FOOTPRINT, VARIOUS USER CONVENIENCE FEATURES

- 1620mm (63.8 inch) machine width minimizes footprint.
- Auxiliary chip box (optional) effectively filters fine aluminum chips.

# BASIC STRUCTURE

The VC 3600/30, a tool taper ISO #30 class dual pallet compact machining is equipped with a highly reliable servo unit and a new frame, and offers superior productivity and reliability.

## High-rigidity structure

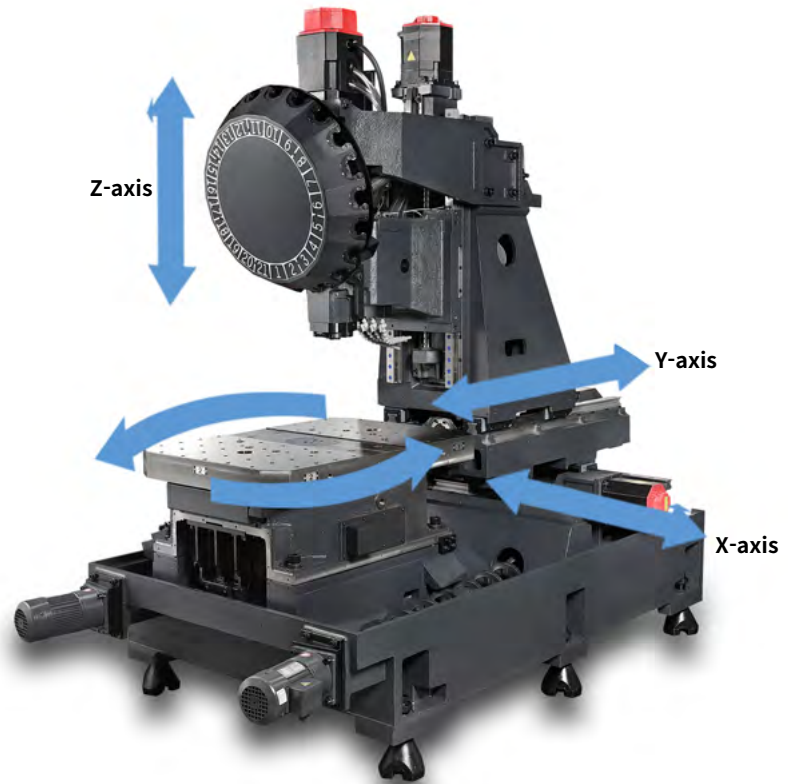
The machine's structure has been improved and optimized by CAE analysis to enhance rigidity and thereby ensure stable and accurate machining over long periods.

## Travel distance

X-axis **520** mm  
20.5 inch

Y-axis **360** mm  
14.2 inch

Z-axis **350** mm  
13.8 inch



## AXIS SYSTEM

Environmentally friendly grease lubrication is adopted as standard for all of the axis feed system, and roller-type LM guides are provided to enhance the rigidity.

## Rapid traverse rate

X-axis **48** m/min  
1889.8 ipm

Y-axis **48** m/min  
1889.8 ipm

Z-axis **56** m/min  
2204.7 ipm

## Roller-type LM guides are provided as a standard feature

A roller-type LM guide is applied to increase the precision of the linear feed system, which is advantageous for high-speed and high-precision machining.



## Grease lubrication for all axes is a standard feature

### Grease lubrication system

The standard grease lubrication system eliminates the need for an oil skimmer and reduces lubrication costs by about 60% compared to oil lubrication.

## Yearly maintenance cost

Max. **60** % ↓



# APC (AUTOMATIC PALLET CHANGER)

The servo driven system has been adopted to further reduce non cutting time (pallet change time), thereby enhancing productivity and reliability.

## Variable control of work piece load

Issuing an M-code corresponding to the work weight can change pallets at a speed appropriate for the weight.

### Table size

**2-650 x 375** mm  
2-25.6 x 14.8 inch

### Max. load capacity

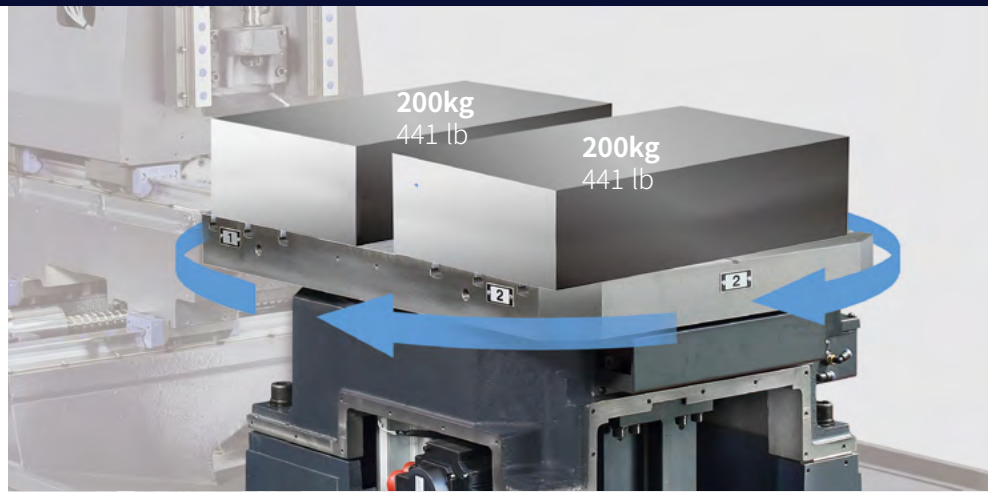
**2-200** kg  
2-441 lb

### Pallet change time

**3** SEC (120 kg on 1 pallet)

### Max. work piece height

**300** mm  
11.8 inch



**M 384** : 0~120 kg (biased load)

**M 380** : 120~200 kg (biased load)



## SPINDLE

The newly designed direct-coupled spindle offers enhanced productivity and precision with reduced acceleration / deceleration times and lower vibration / noise.

### Max. spindle speed

**12000** r/min

**18000** r/min OPTION



# MAGAZINE

Machine reliability has been optimized with the new servo tool magazine, while productivity has been enhanced by reducing the tool change time.

## Tool storage capacity

**14** ea  
**21/24** ea OPTION

## Tool to Tool

**1.6** sec.

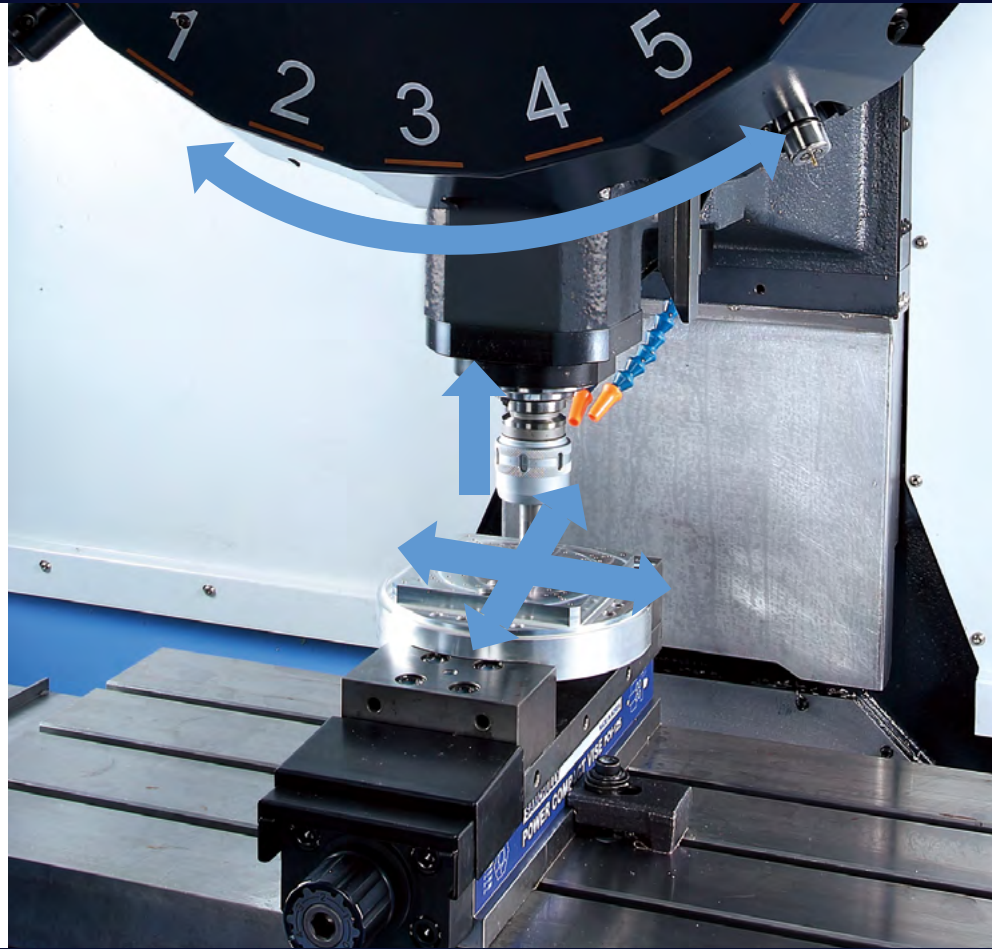
## Chip to Chip

**2.6** sec.

\* The Chip-to-Chip time was tested in accordance with DN Solutions's strict testing conditions, but may vary depending on the user's operating conditions.

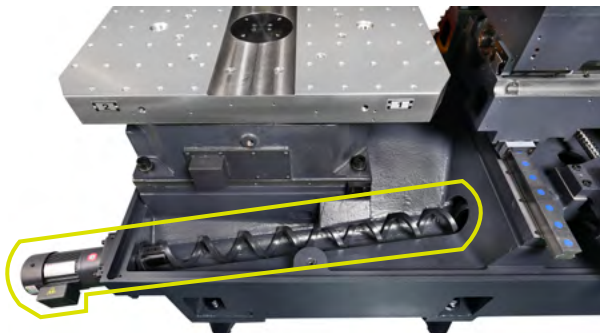
## Simultaneous operation

The Simultaneous Operation Control performs pallet change, and axes home position return and tool change simultaneously to minimize non cutting time.



# FEATURES

What's by applying a double chip screw in the machine, the chip disposal ability was improved. And by placing the control panel on the side, operation is easy and safe.

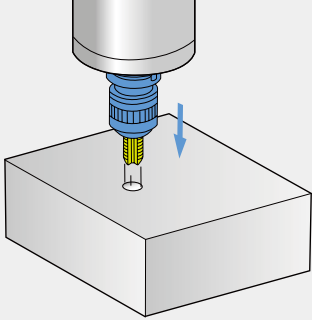


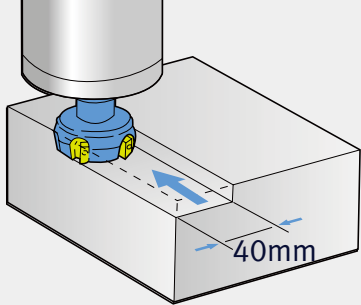
# CUTTING PERFORMANCE

The high power and torque characteristics of the spindle motor provides superior milling and compact machining performance in steel at low rpm, while providing effective high speed machining for aluminum workpieces.

## Machining capacity

DN Solutions FANUC i (at 12000 r/min)

Tap		
		
Tap Carbon steel (SM45C)		
Tap size (mm)	Spindle speed (r/min)	Feedrate (mm/min (ipm))
M20 x P2.5	240	600 (23.6)
Tap Aluminium (AL6061)		
Tap size (mm)	Spindle speed (r/min)	Feedrate (mm/min (ipm))
M30 x P2.5	212	742 (29.2)

Face mill (ø65mm)		
		
Carbon steel (SM45C)		
Chip removal rate (cm³/min (inch³/min))	Spindle speed (r/min)	Feedrate (mm/min (ipm))
240 (14.6)	1500	2000 (78.7)
Aluminium (AL6061)		
Chip removal rate (cm³/min (inch³/min))	Spindle speed (r/min)	Feedrate (mm/min (ipm))
720 (43.9)	1500	6000 (236.2)

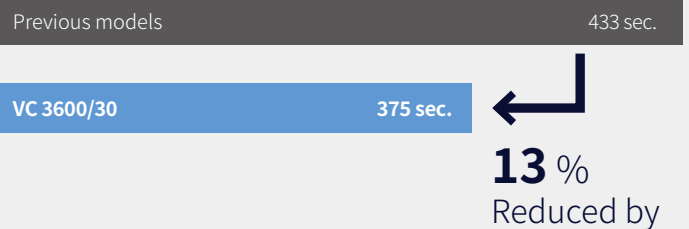
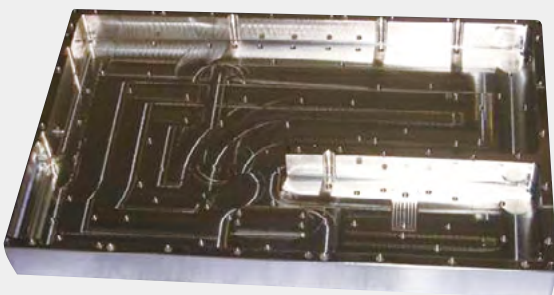
\* The results, indicated in this catalogue are provides as example. They may not be obtained due to differences in cutting conditions and environmental conditions during measurement

## Productivity

DN Solutions FANUC i (at 12000 r/min)

### Sample work piece

Material : Aluminium (AL6061)



# STANDARD | OPTIONAL SPECIFICATIONS

A range of options is available to suit individual requirements.

Description	Features	VC 3600/30	
<b>Spindle</b>	12000 r/min, 13 kW (17.4 Hp), 82.7 N·m (61.0 lbf-ft)	●	
	18000 r/min, 3.7 kW (5.0 Hp), 11.8 N·m (87.0 lbf-ft)	○	
<b>Magazine</b>	Tool storage capacity	14 ea	●
		21 ea	○
<b>Tool shank type</b>	BIG PLUS ISO #30	●	
<b>Coolant</b>	FLOOD	0.17 Mpa (24.7 psi), 0.4 kW (0.5 Hp)	●
		None	●
	TSC	2 Mpa (290.1 psi), 1.5 kW (2.0 Hp)	○
		FLUSHING	●
	SHOWER, 40 L/min(10.6 gal/min)	○	
	Oil skimmer (belt type)	○	
	Coolant level switch : Sensing level - Low / High	○	
<b>Chip disposal</b>	Chip conveyor	Chip pan	●
		Hinged type (Rear)	○
		Magnetic scraper type (Rear)	○
	Chip bucket	○	
	Air blower	○	
	Air gun	○	
	Coolant gun	○	
	Mist collector	○	
<b>Precision machining option</b>	AICC I (40 block)	○	
	AICC II (200 block)	○	
<b>Measurement &amp; Automation</b>	Automatic tool measurement	TS27R_RENISHAW	○
		NC4_RENISHAW	○
	Automatic tool breackage detection	NEEDLE SWING TYPE	○
		OMRON LIMIT SWITCH TYPE	○
	Automatic workpiece measurement	OMP40_RENISHAW	○
Automatic front door with safty edge	○		
<b>Others</b>	Top Cover	●	
	LCD size	10.4 inch	●
		without Buzzer	●
	Signal tower	with Buzzer	○
		Hydraulic (A/B LINE_1 PAIR)	○
	Fixture Interface (for each pallet)	Pneumatic (A LINE_1 PAIR)	○
		Hydraulic unit (for hydraulic fixture, 2.2 kW(3.0 hp)	○
Automatic power off	○		
<b>SMART THERMAL CONTROL</b>	SENSORLESS TYPE (12k Standard)	●	
	SENSOR TYPE (18k Standard)	●	
<b>Customized Special Option</b>	DRUM CHIPCONVEYOR	○	
	TOOL WASHING	○	

\* Please contact your DN Solutions representative for detailed machine information.

\* When using a semi-synthetic type or synthetic type, contact our sales representative or service center in advance.

● Standard ○ Optional X Not applicable



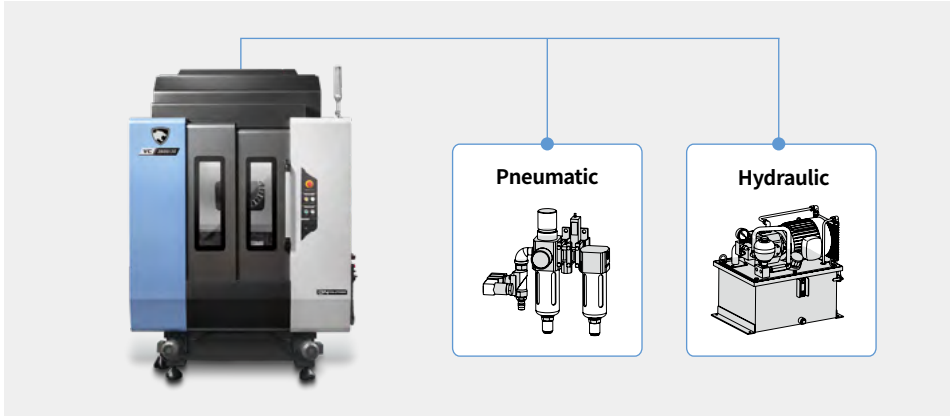
There is a high risk of fire when using non-water-soluble cutting fluids, processing flammable materials, neglecting the controlled and careful use of coolants and modifying the machine without the consent of the manufacturer. Always check the SAFETY GUIDELINES carefully before using the machine.



# PERIPHERAL EQUIPMENT

## Hydraulic/Pneumatic fixtureline OPTION

Users who intend preparing equipment for hydraulic / pneumatic fixtures should consult DN Solutions to determine correct specification.



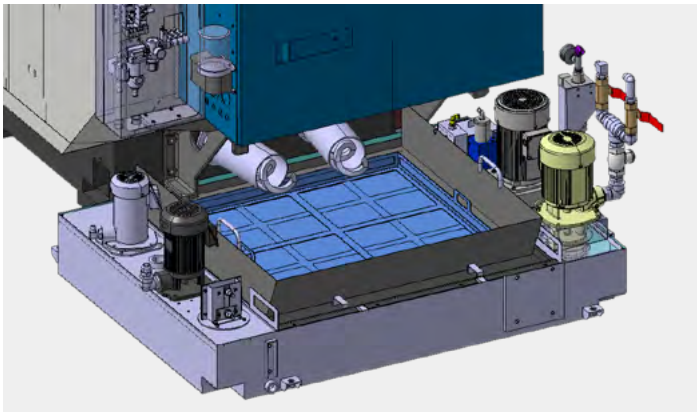
## TSC OPTION

The through-spindle coolant (TSC) system delivers higher machining efficiency (optional).



## An auxiliary chip box

An auxiliary chip box for effective filtering of fine aluminum chips is available as an optional feature



## Top cover

The top cover (standard feature) prevents coolant splash, thereby maintaining a clean working environment.



## Chip conveyor OPTION



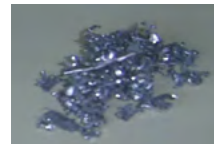
Long



Short



Needle



Sludge

### Hinged belt type\*

Most common type of chip conveyor. Appropriate for steel materials generating chips over 30mm.

### Drum filter type\*\*

Chip conveyor with a magnet. Appropriate for machining cast iron and the generation of fine chips.

Chip conveyor type	Material	Carbon steel			Cast iron		Aluminium		
		Long	Short	Needle	Short	Sludge	Long	Short	Needle
Hinged belt type		○	△	X	△	X	○	△	X
Scraper type	General type	X	○	△	○	△	X	△	X
	Magnetic type	X	○	○	○	○	-	-	-
Drum filter type	Hinged type	○	△	X	△	X	○	△	X
	Scraper type	X	○	△	○	△	X	○	△

○: Suitable, △: Possible, X: Not suitable

## Automatic tool Length measurement device OPTION

The Automatic Tool Length Measurement Device monitors excessive tool wear or breakage, and can be used for automatic tool setting.



# DN SOLUTIONS FANUC i PLUS

DN Solutions Fanuc i Plus maximizes customer productivity and convenience.

## 10.4" Screen + New OP

DN Solutions Fanuc i Plus' operation panel enhances operating convenience by incorporating common-design buttons and layout. It features a Qwerty keyboard for fast and easy data input and operation.

### DN Solutions Fanuc i Plus

- 10.4 inch color display
- Intuitive and user-friendly design

### USB and PCMCIA card QWERTY keyboard

- EZ-Guide i standard
- Ergonomic operator panel
- 2MB Memory
- Hot keys

### PCMCIA Card

The PCMCIA card enables uploading and downloading of the NC program, NC parameters, tool information, ladder programs, and also supports DNC operation.

### USB Port

The USB memory stick enables uploading and downloading of the NC program, NC parameters, tool information and ladder programs. (DNC operation is not supported.)



## NUMERIC CONTROL SPECIFICATIONS

FANUC

Division	Specifications	VC3600/30 DN Solutions FANUC I Plus
Controlled axes		3 (X,Y,Z)
Simultaneously controlled axes		4 axes
Additional controlled Axis	Add 1 Axis (5th Axis)	●
Fast data server		○
Memory card input/output		●
USB memory input/output		●
Large capacity memory(2GB)*2	Note *2) Available Option only with 15" Touch LCD (iHMI Only)	○
Embedded Ethernet		●
Fast Ethernet		○
Enhanced Embedded Ethernet function		●
DNC operation	Included in RS232C interface.	●
DNC operation with memory card		●
Workpiece coordinate system	G52 - G59	●
Addition of workpiece coordinate system	G54.1 P1 X 48 (48 pairs)	○
Tool number command		T2 digits
Tilted working plane indexing command	G68.2 TWP	○
AI contour control I	G5.1 Q_, 40 Blocks	X
AI contour control II	G5.1 Q_, 200 Blocks	●
AI contour control II	G5.1 Q_, 600 Blocks	○
AI contour control II	G5.1 Q_, 1000 Blocks	X
High smooth TCP		X
EZ Guidei (Conversational Programming Solution)		○
iHMI with Machining Cycle	Note *1) Only with 15" Touch LCD standard	X
EZ Operation package		●
CNC screen dual display function		●
FANUC MTConnect		⊕
FANUC OPC UA		⊕
Display unit	10.4" color LCD	●
	15" color LCD	X
	15" color LCD with Touch Panel	X
Part program storage size & Number of registerable programs	640M(256KB)_500 programs	X
	1280M(512KB)_1000 programs	X
	2560M(1MB)_1000 programs	X
	5120M(2MB)_1000 programs	●
	10240M(4MB)_1000 programs	X
	20480M(8MB)_1000 programs	X
	2560M(1MB)_2000 programs	X
	5120M(2MB)_4000 programs	X
10240M(4MB)_4000 programs	X	
20480M(8MB)_4000 programs	X	

\*Fanuc i plus iHMI available.

● Standard ● Optional X N/A ○ Available

# POWER | TORQUE

## DN Solutions FANUC i

Max. spindle speed :

**12000** r/min

Max. spindle motor power :

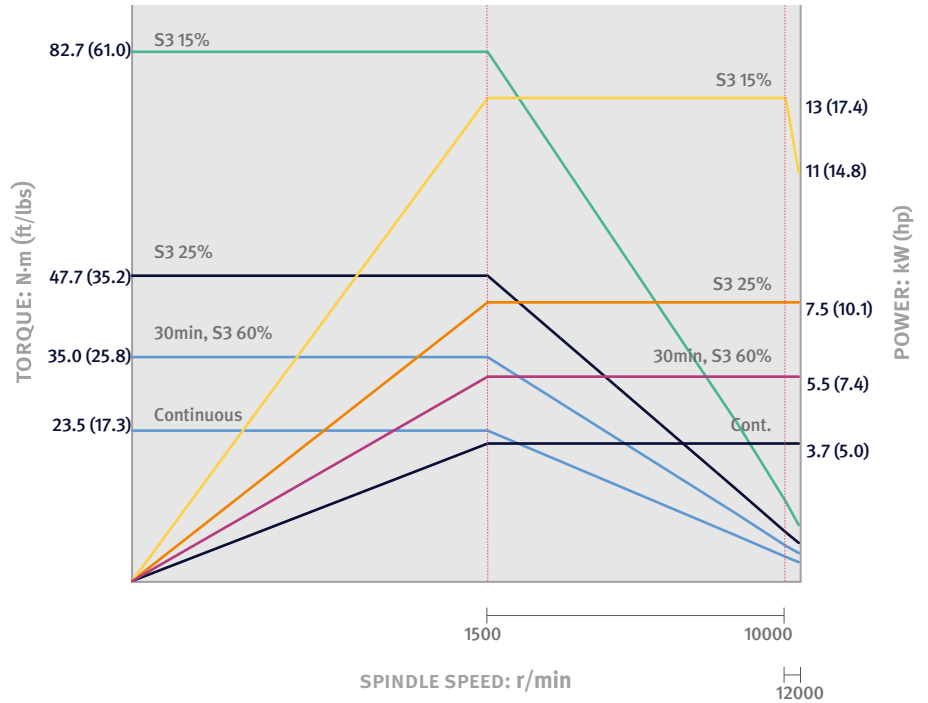
**13** kW

17.4 Hp

Max. spindle motor torque :

**82.7** N·m

61.0 lbf-ft



## DN Solutions FANUC i OPTION

Max. spindle speed :

**18000** r/min

Max. spindle motor power :

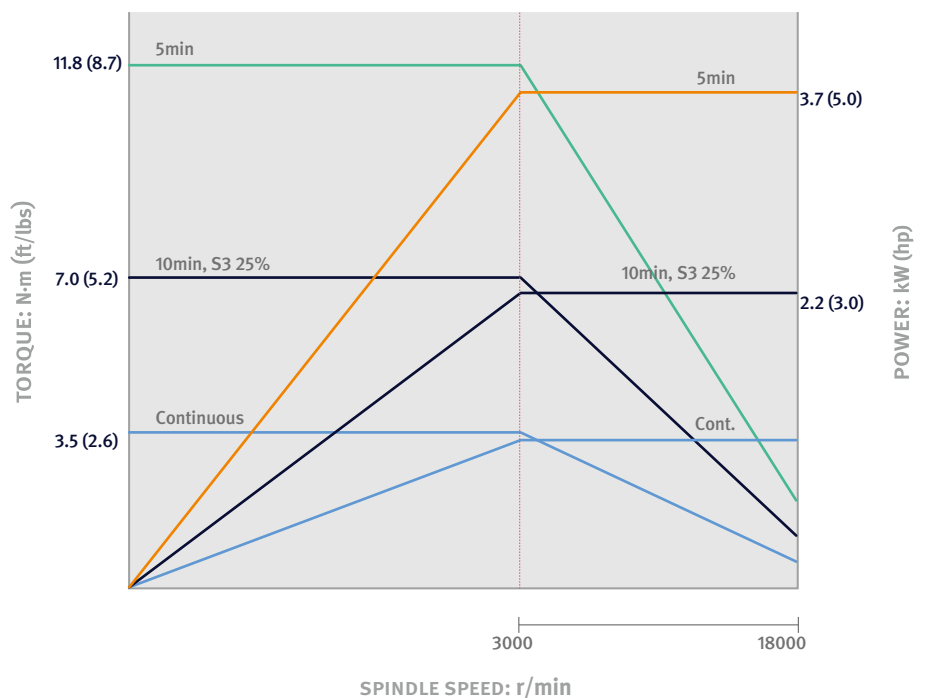
**3.7** kW

5.0 Hp

Max. spindle motor torque :

**11.8** N·m

8.7 lbf-ft

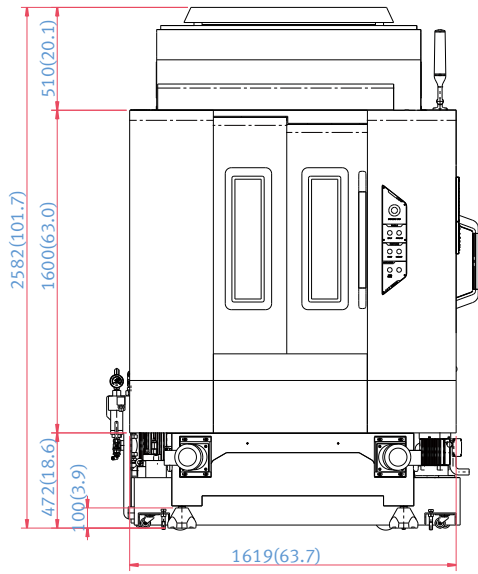


# EXTERNAL DIMENSIONS

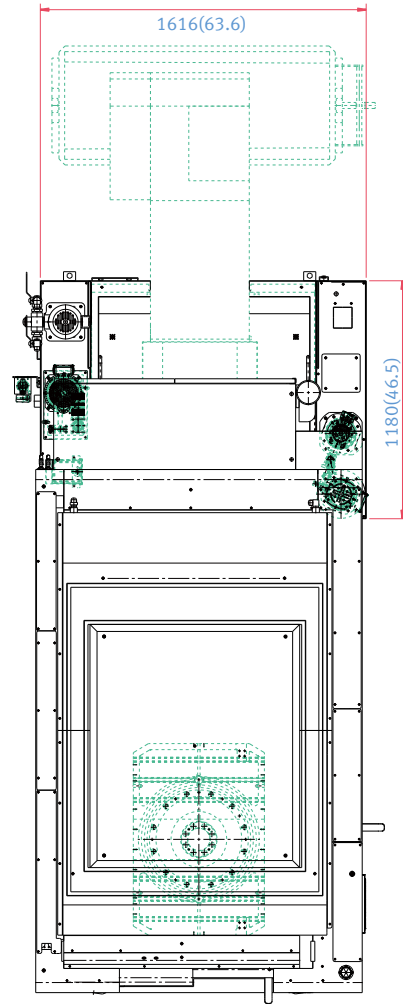
## ARMLESS TYPE

Unit : mm (inch)

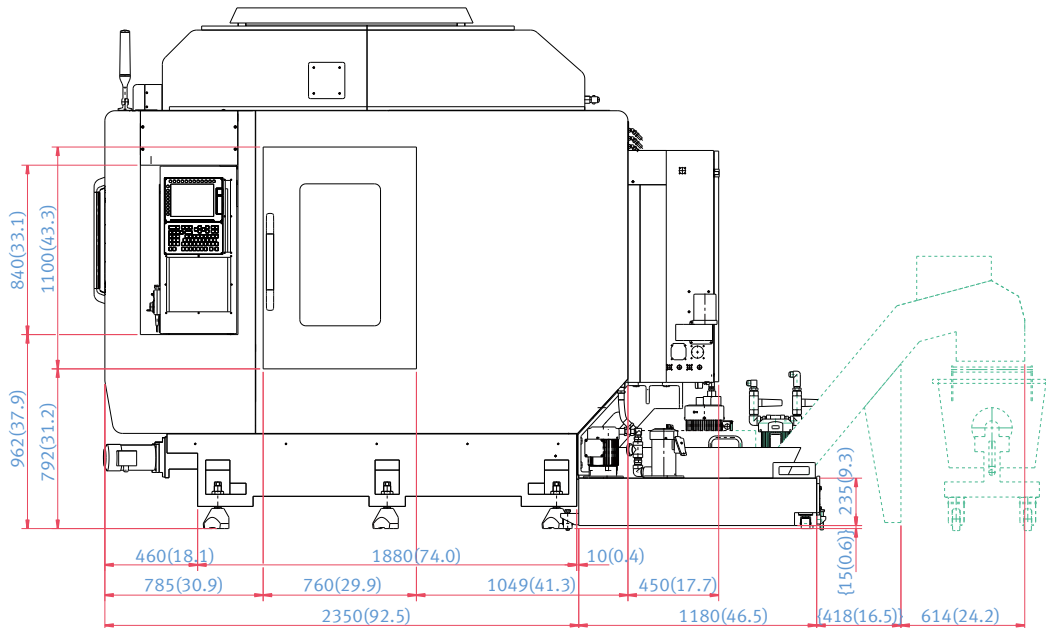
FRONT



SIDE



SIDE



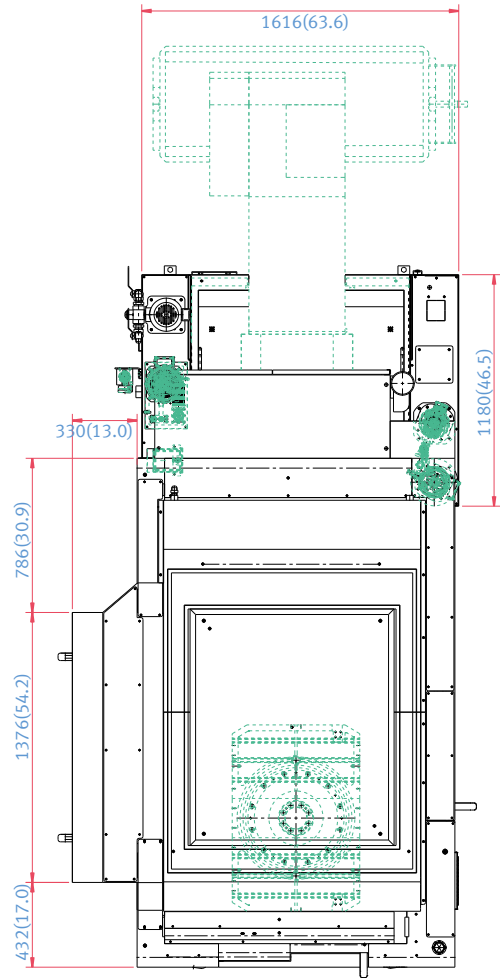
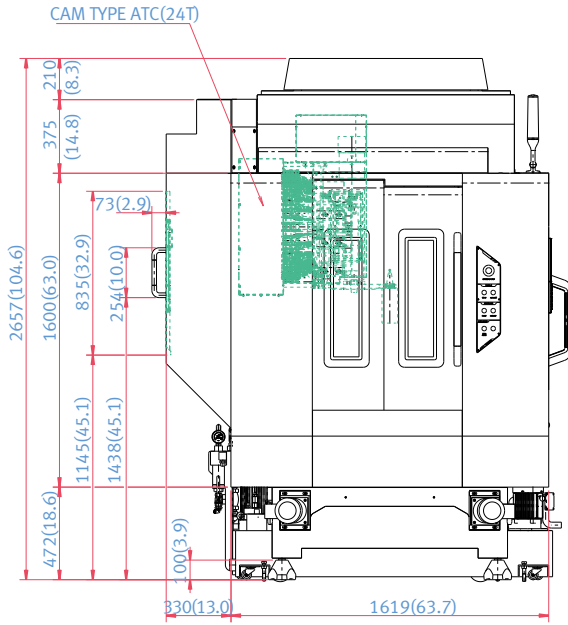
# EXTERNAL DIMENSIONS

## CAM TYPE

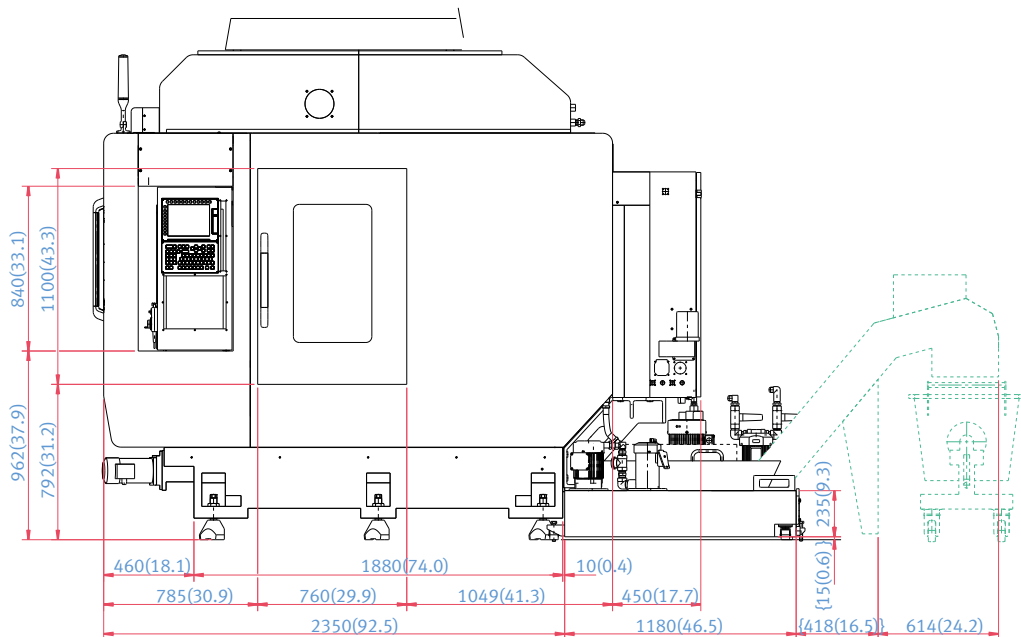
Unit: mm (inch)

FRONT

SIDE



SIDE

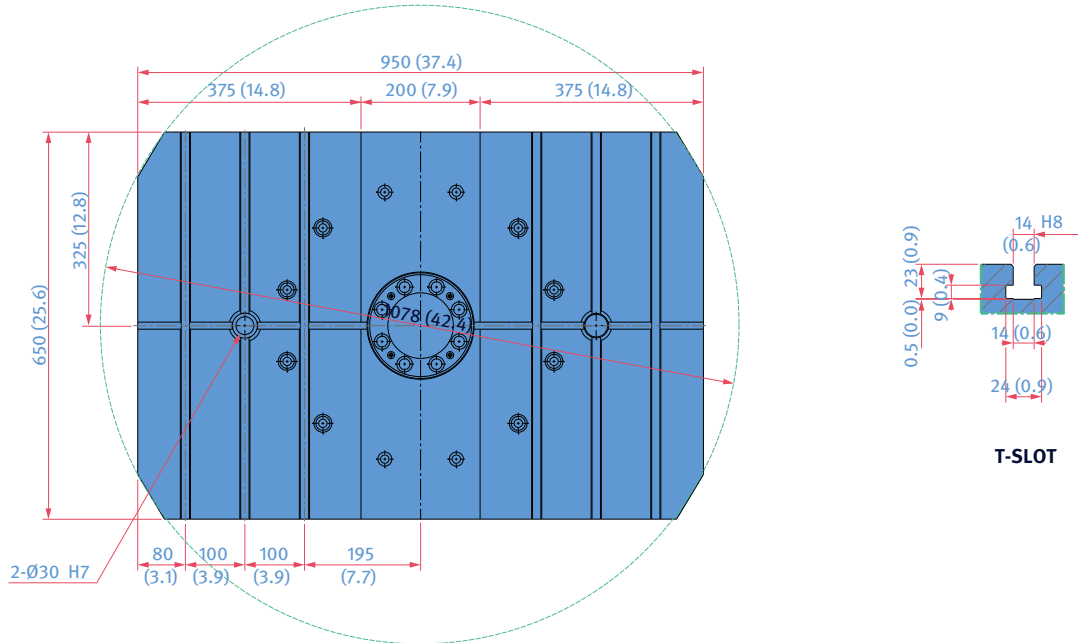


\* Some peripheral equipment can be placed in other areas.

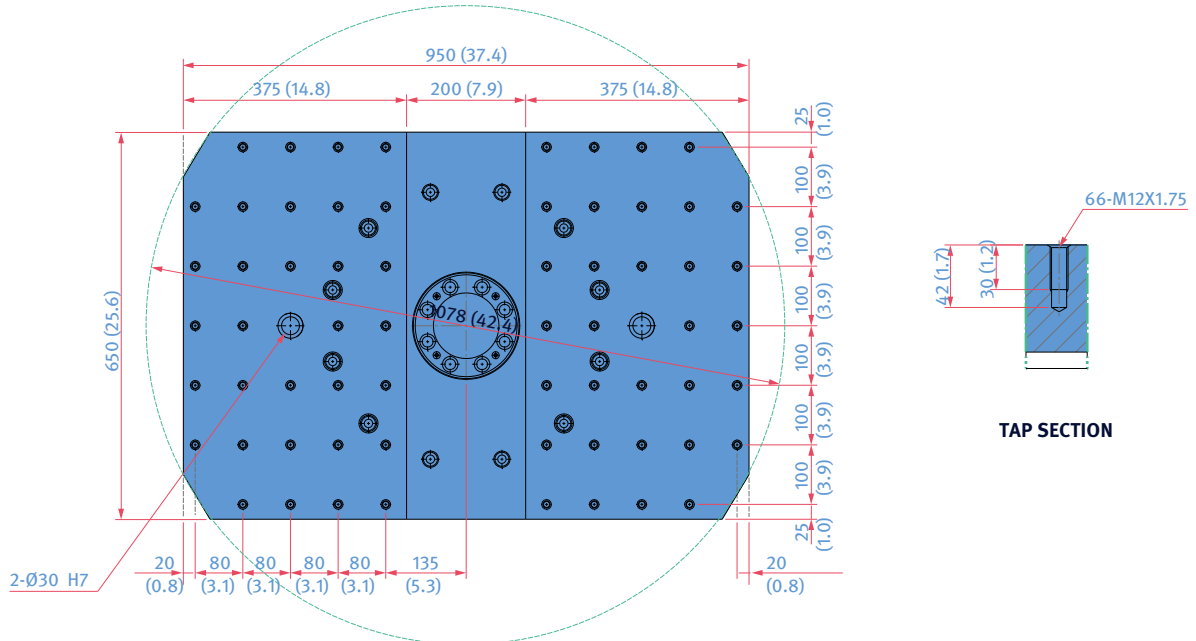
# TABLE DIMENSIONS

Unit: mm (inch)

## T-SLOT



## TAP HOLE



# MACHINE SPECIFICATIONS

Description			Unit	VC 3600/30
Travels	Travel distance	X axis	mm (inch)	520 (20.5)
		Y axis	mm (inch)	360 (14.2)
		Z axis	mm (inch)	350 (13.8)
	Distance from spindle nose to table top		mm (inch)	150 ~ 500 (5.9 ~ 19.7)
Table	Table size		mm (inch)	2-650 x 375 (2-25.6 x 14.8)
	Table loading capacity		kg (lb)	2-200 (2-441)
	Table surface type		mm (inch)	TAP HOLE TYPE 2X32(0.1X1.3)-M12(0.5)XP1.75(0.1) {T-SLOT TYPE 2X3-100X14H8 (0.1X0.1-3.9X0.6H0.3) } *
Spindle	Max. spindle speed		r/min	12000 {18000}*
	Taper		-	ISO #30
	Spindle power		kW (Hp)	13(17.4){S3 15%}/3.7(5.0)(cont.) {3.7(5.0){S2 5min}/1.1(1.5)(cont.)}*
	Max. spindle torque		N · m (lbf-ft)	82.7(61.0) {11.8(8.7)}*
Feedrates	Rapid traverse rate	X axis	m/min (ipm)	48 (1889.8)
		Y axis	m/min (ipm)	48 (1889.8)
		Z axis	m/min (ipm)	56 (2204.7)
Automatic Tool Changer	Type of tool shank	Tool shank	-	BT 30
		Pull stud	-	MAS403 P30T-1 45deg.
	Tool storage capa.		ea	14{21}* (Armless type) / 24(Cam type)
	Max. tool diameter	Continuous	mm (inch)	80(Armless type) / 60(Cam type)
		Without Adjacent Tools	mm (inch)	150(Armless type) / 130(Cam type)
	Max. tool length		mm (inch)	200 (7.9)
	Max. tool weight		kg (lb)	2.8 (6.2)
	Max. tool moment		N · m (lbf-ft)	1.47 (1.1)
	Tool selection			FIXED ADDRESS
	Tool change time	Tool-to-tool	sec	1.6(Armless type) / 1.1(Cam type)
Chip-to-chip		sec	2.6(Armless type) / 2.8(Cam type)	
Power source	Electric power supply (rated capacity)		kVA	20.81{17.49}*
	Compressed air supply		MPa (psi)	0.54 (78.3)
Tank capacity	Coolant tank capacity		L (gal)	270 (71.3) {300 (79.3)}**
Machine Dimensions	Height		mm (inch)	2552 (100.5) {2657(80.3)}
	Length		mm (inch)	3684 (145.0)
	Width		mm (inch)	1729 (68.1) {2131(83.9)}
	Weight		kg (lb)	5200 (11463.9)
Control	CNC system		-	DN Solutions Fanuc i Plus

\*{ } : Option \*\*{ } : Coolant tank capacity for chip conveyor



[dn-solutions.com](http://dn-solutions.com)

**Head Office**

22F T Tower, 30, Sowol-ro 2-gil  
Jung-gu, Seoul, Korea, 04637

Tel: +82-2-6972-0370/0350  
Fax: +82-2-6972-0400

**DN Solutions America**

19A Chapin Road, Pine Brook  
New Jersey 07058, United States

Tel: +1-973-618-2500  
Fax: +1-973-618-2501

**DN Solutions Europe**

Emdener Strasse 24, D-41540  
Dormagen, Germany

Tel: +49-2133-5067-100  
Fax: +49-2133-5067-111

**DN Solutions India**

No.82, Jakkuar Village  
Yelahanka Hobli, Bangalore-560064

Tel: + 91-80-2205-6900  
E-mail: [india@dncompany.com](mailto:india@dncompany.com)

**DN Solutions China**

Room 101,201,301, Building 39 Xinzhuan  
Highway No.258 Songjiang District  
China Shanghai (201612)

Tel: +86 21-5445-1155  
Fax: +86 21-6405-1472

**Sales inquiry**

[sales@dncompany.com](mailto:sales@dncompany.com)

\* For more details, please contact DN Solutions.

\* Specifications and information contained within this catalogue may be changed without prior notice.